

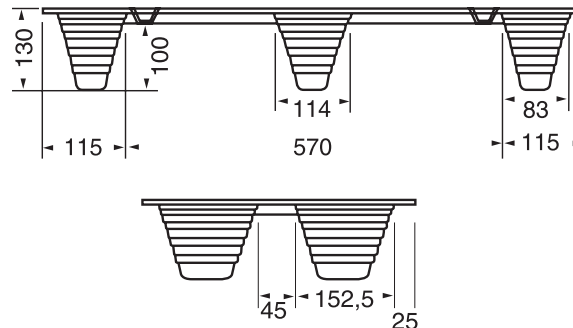
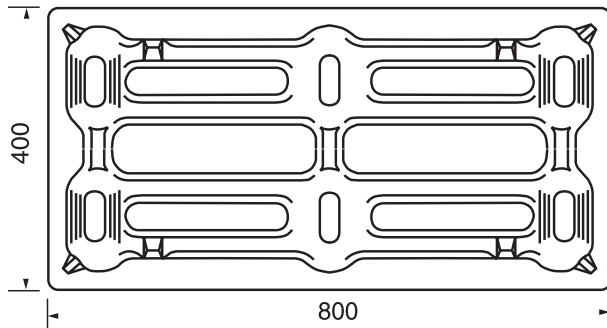
Inka pallet type F 36 1/3-euro format – 400 x 800 mm

data sheet:

type	F 36	F 36 (s)
material	presswood	presswood
max. load capacity*		
dynamic	500 kg	1,000 kg
static	approx. 1,500 kg	approx. 3,000 kg
net weight	approx. 3.5 kg	approx. 4.5 kg
packing unit	180 pcs./Euro space	180 pcs./Euro space
height	approx. 1.95 m	approx. 2.05 m



✓ 1/3 Euro size – for small loads or POS-displays, compliant to the Euro-Standard.



* This pertains to an index of refraction within the framework of a quality test in a laboratory, which was calculated upon a theoretical surface load. We recommend using test pallets for all cases, with which we will be glad to provide you. Please refer to our User's Tips.